

AS6 gPV NH1XL Size



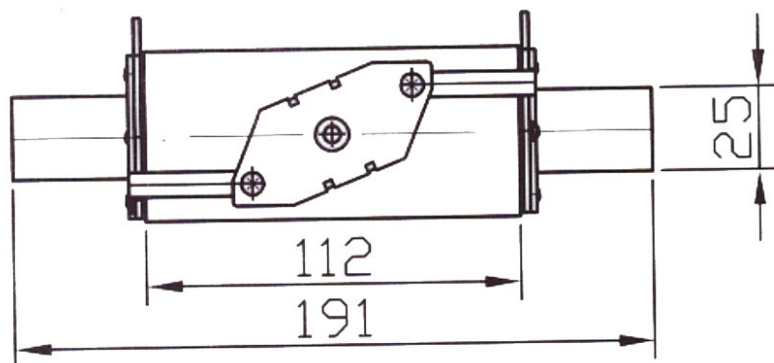
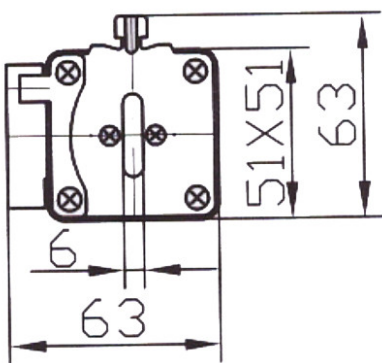
FEATURES:

- Rated Voltage: 1000V DC, class gPV
- Rated Current: 80~250A
- Rated Breaking Capacity: 25 kA
- Max. Dissipation: 37.5W
- Standard: IEC60269

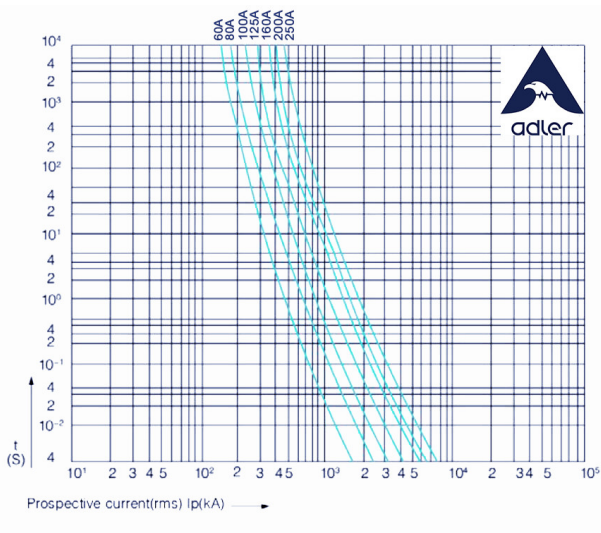
ELECTRICAL SPECIFICATIONS

Part Number	Rated Current	I ² t (A ² s)		Max. Dissipation (W)		Certifications
		Pre-Arc	Total @ Rated Voltage	70% In	100% In	
AS62800700	80A	490	3600	24.5	37.5	•
AS63100700	100A	870	6300	24.5	37.5	•
AS63125700	125A	1930	13900	24.5	37.5	•
AS63160700	160A	3900	18100	24.5	37.5	•
AS63200700	200A	9400	27260	24.5	37.5	•
AS63250700	250A	9450	70000	24.5	37.5	•

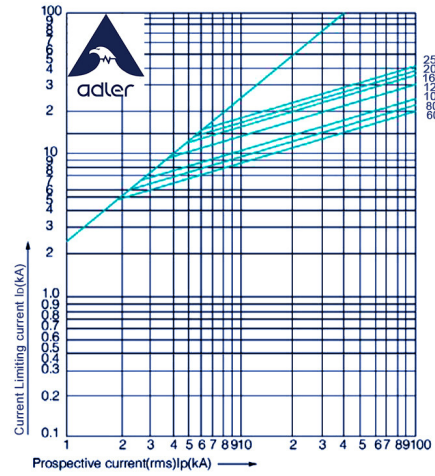
DIMENSIONS (mm)



TIME/ CURRENT (I-T) CHART (reference)



CURRENT LIMITING-CURRENT (reference)



MATCHING FUSE HOLDERS/ ACCESSORIES:

- Holders NH3L/NH2XL Series.

